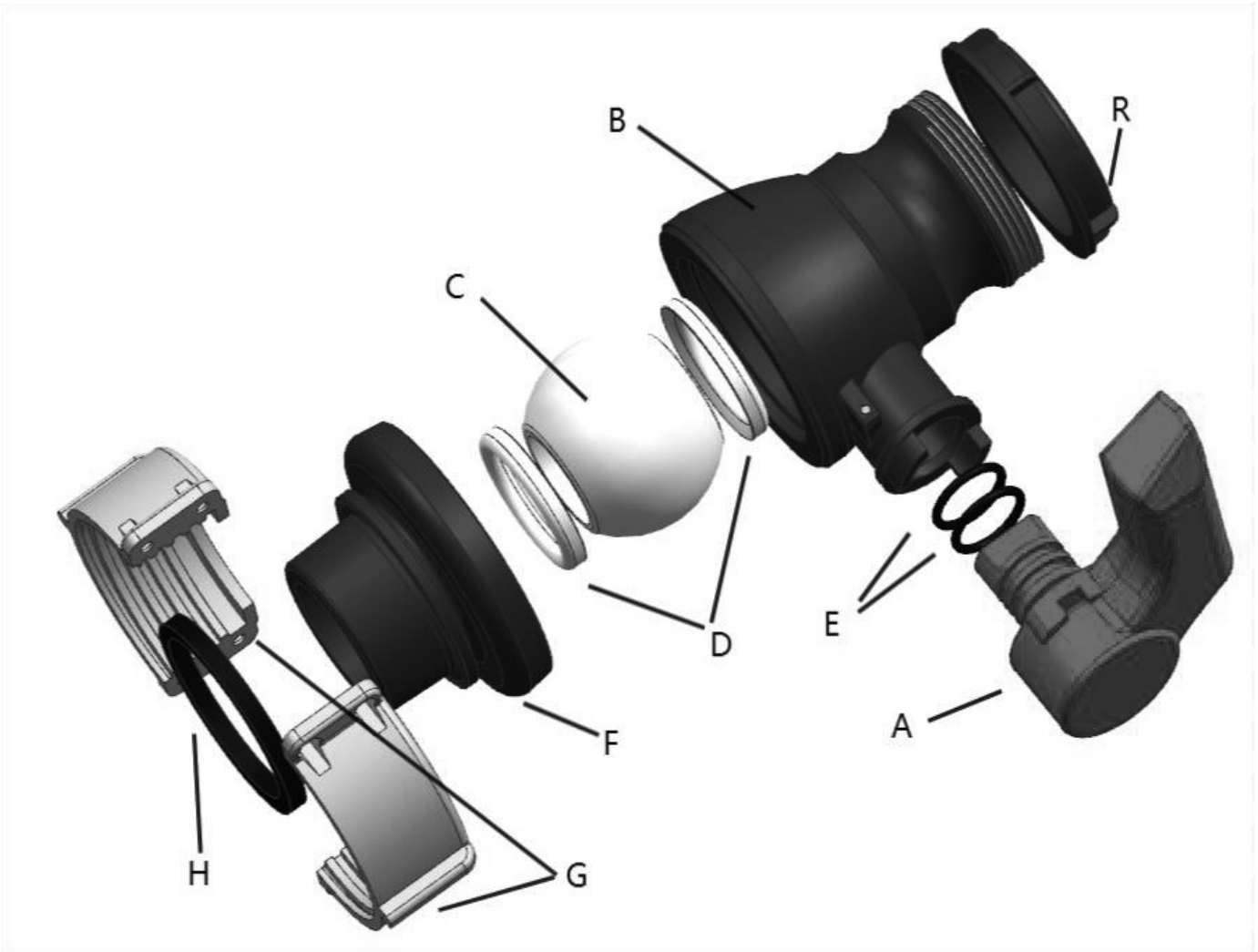


GJL International Technology & Trading, Inc.
GC IV-2"62-QLVMC/2-1/8



QC:

1- All valves are subjected to and must pass compressed air test to hold air internally for 3 hrs.

2- A sampling of valves (min. 10 from each run) are subjected to the following:

Inner Stress Test Drop Test
 Leakproof Test Vibration Test

Torque:
 80-90 ft lb

	Part	QTY	Name	Material	OD	ID	
GC IV-2"62-QLVMC/2-1/8 62mm Aluminum Collar Ball Valve 2-1/8" QD Outlet LDPE Ball Seals Collar VITON Gasket Shallow Dust Cap Attached	A	1	Handle	PP GF30			
	B	1	Valve Body Upper	PP Copolymer	2.42"	1.425"	
	C	1	Ball	PP			
	D	2	Ball Seal	LDPE			
	E	2	O-Ring	EPDM and Viton			
	F	1	Valve Body Lower	PP			
			not shown	Gasket	VITON		
	G	1	Collar (2 pc assembly)	Aluminum Alloy			
	H						
	R		not shown	Shallow Dust Cap	PE		